

» EasySens Radio switch 55x55

Universal wireless switch

thermokon[®]
HOME OF SENSOR TECHNOLOGY

Datasheet • 519106

Subject to technical alteration
Date Issue: 27.10.2020 • A111

Fits all 55x55 switch ranges

Available in
• pure white brilliant
• pure white matt
• aluminium
• anthracite



» APPLICATION

Battery-less radio control for lighting and blind. The self powered wireless technology enables flexible installation on glass and wall plaster via double-sided adhesive pads or screws.

» TYPES AVAILABLE

Radio switch 55x55 - Design Light (0 | I)

Radio switch 2-channel light 55x55 w/o frame (1 switch rocker)
Radio switch 4-channel light 55x55 w/o frame (2 switch rocker)

Radio switch 55x55 - Design Shutter/Blind (▲ | ▼)

Radio switch 2-channel shutter/blind 55x55 w/o frame (1 switch rocker)
Radio switch 4-channel shutter/blind 55x55 w/o frame (2 switch rocker)

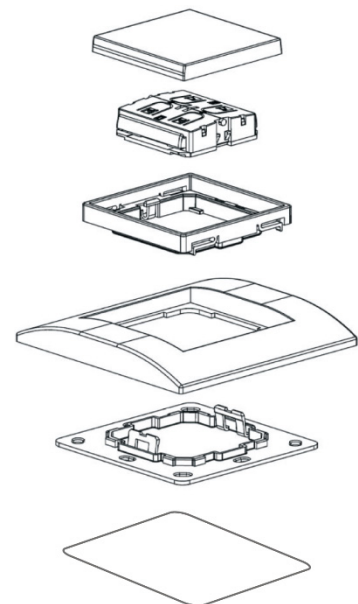
W/o printing or Special printing possible

All types are available in the colours pure white gloss, pure white silk matt, aluminium and anthracite.

Compatible with the following switch ranges

Berker S.1 *, B.7 Glas
Busch-Jaeger Busch-balance® SI *
Feller EDIZIOdue *
Gira E2 *, E3 *, Standard 55 *, Esprit *, Event *, Flächenschalter *
Jung A 500 *, AS 500 *, A creation *
Merten M-Smart *, M-Plan *, M-Pure *, 1-M, Atelier-M, Artec *, Antik *
Peha AURA, AURA Glas

**with intermediate frame (standard version)*



» PRODUCT TESTING AND CERTIFICATION



Declaration of conformity

The declaration of conformity of the products can be found on our website <https://www.thermokon.de/>.

» SECURITY ADVICE – CAUTION



The installation and assembly of the device should only be performed by authorized personnel.

The product should only be used for the intended application. Unauthorised modifications are prohibited! The product must not be used in relation with any equipment that in case of a failure may threaten, directly or indirectly, human health or life or result in danger to human beings, animals or assets. Ensure all power is disconnected before installing. Do not connect to live/operating equipment.

Please comply with

- Local laws, health & safety regulations, technical standards and regulations
- Condition of the device at the time of installation, to ensure safe installation
- This data sheet and installation manual

» NOTES ON DISPOSAL



As a component of a large-scale fixed installation, Thermokon products are intended to be used permanently as part of a building or a structure at a pre-defined and dedicated location, hence the Waste Electrical and Electronic Act (WEEE) is not applicable. However, most of the products may contain valuable materials that should be recycled and not disposed of as domestic waste. Please note the relevant regulations for local disposal.

» INFORMATION ABOUT EASYSSENS® (RADIO) / AIRCONFIG GENERAL USAGE



EasySens® - airConfig

Basic information about EasySens® radio and about general usage of our airConfig software, please download from our website.

» OVERVIEW OF THE RADIO TELEGRAMS



EEP

The structure of the data contained in the telegram can be found in the EEP (EnOcean equipment profile) list provided by the EnOcean Alliance.

» TECHNICAL DATA

Radio technology	EnOcean (IEC 14543-3-10), transmission power <10 mW EEP F6-02-xx
Frequency	868 MHz, optional 928 MHz
Power supply	maintenance-free, electrodynamic energy generator
Transmission interval	when pressing the switches
Control functions	actuation force 7 N, actuation range 2 mm, operating cycle quantity > 50.000
No. of buttons	2-channel (1 switch), 4-channel (2 switches)
Labelling	O, I (version light), Δ▼ (version blinds), special printing available on request
Enclosure	PC, pure white brilliant, pure white matt, aluminium, Jung aluminium (suitable for switch ranges Jung), anthracite, luminescent intermediate frame, yellow, green phosphorescent available (see accessories); can easily be used instead of the intermediate frame, guideline: with an illumination of 400 lux for 20-30 minutes the frame will glow about 12 hours
Ambient condition	-25..+65 °C, max. 85% rH non-condensing
Mounting	to be mounted flat onto the surface using adhesive foil (included) or screws

» MOUNTING ADVICES

The switch frame can be glued directly to the wall or screwed to existing flush-mounted boxes. The surface must be flat and dust-free. Unevenness can lead to malfunctions. Make sure that no dust can get inside the device. Snap on the switch frame, if necessary intermediate frame, radio module and actuating rocker(s) one after the other.

When dismantling, the rocker must be lifted off together with the radio module. Release the intermediate frame by disengaging the locking hooks on the left and right.